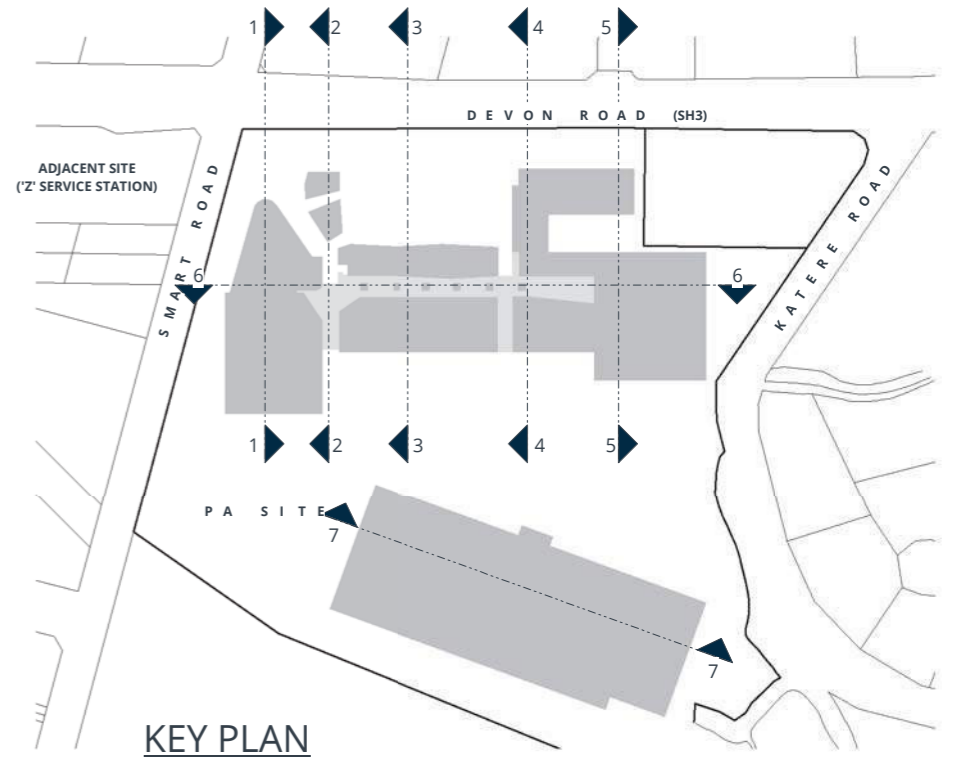
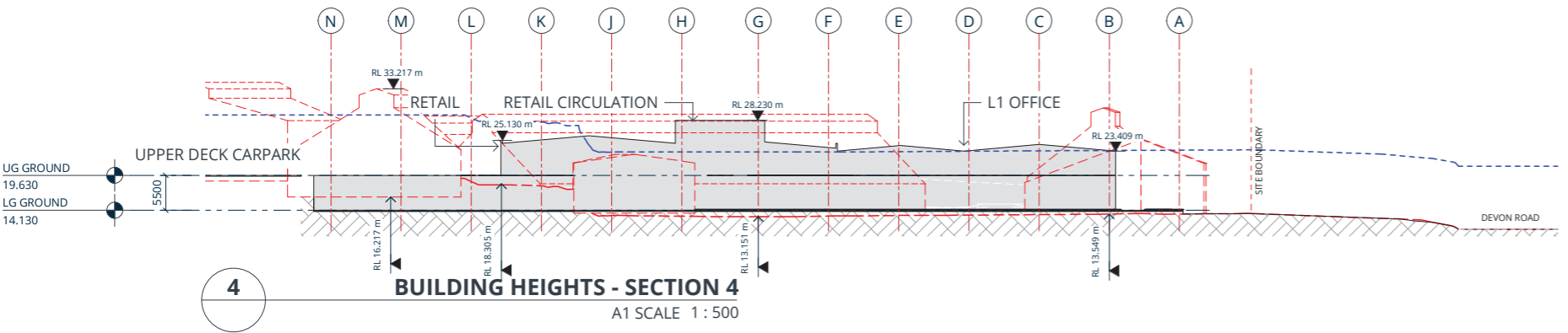
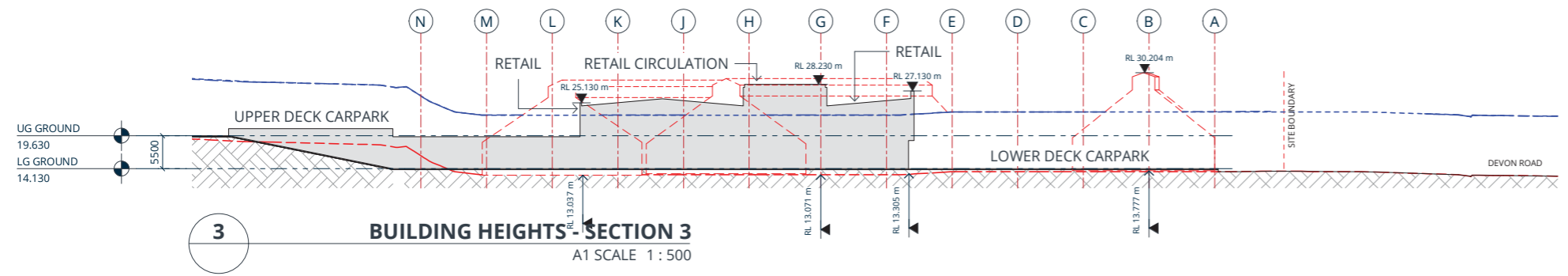
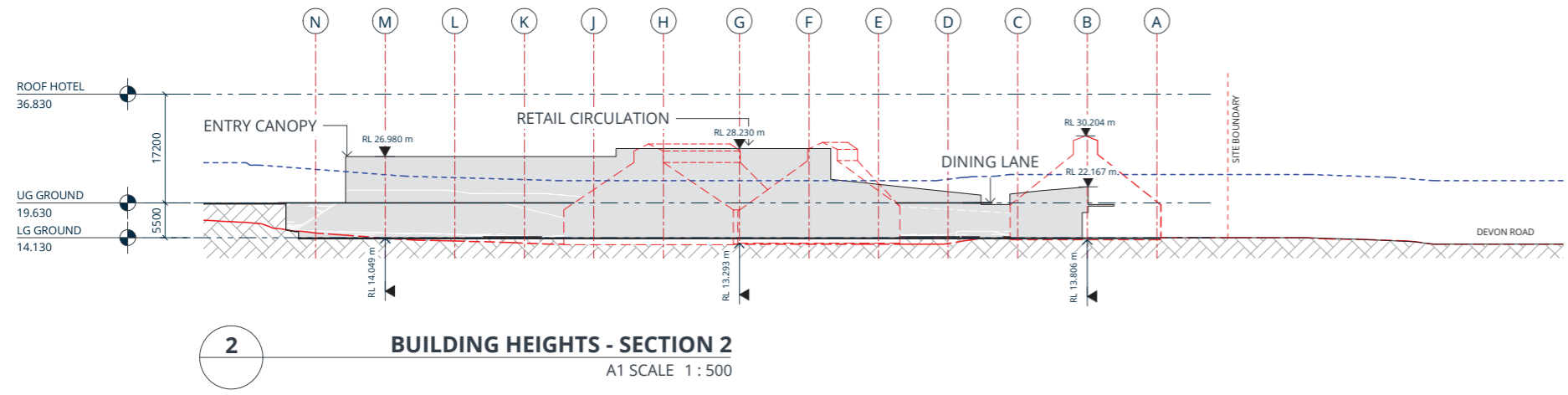
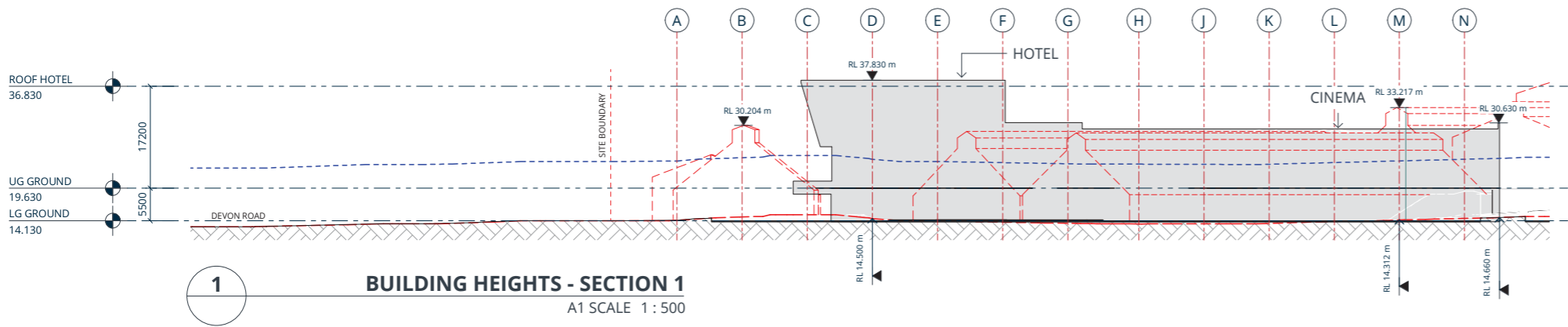


LUC17/47175 - F1



SECTION	MAX. PROPOSED BUILDING HEIGHT	ACTUAL HEIGHT ABOVE GROUND LEVEL
SECTION 1	RL 37.830m	23.33m
SECTION 2	RL 28.230m	14.937m
SECTION 3	RL 28.230m	15.159m
SECTION 4	RL 28.230m	15.079m
SECTION 5	RL 26.930m	13.793m
SECTION 6	RL 39.354m	26.216m
SECTION 7	RL 30.354m	11.029

- LEGEND:**
- - - EXISTING BUILDINGS
 - - - EXISTING TOPOGRAPHY
 - - - 10m ROLLING HEIGHT PLANE
 - PROPOSED BUILDINGS

BUILDING HEIGHTS SECTIONS - 1

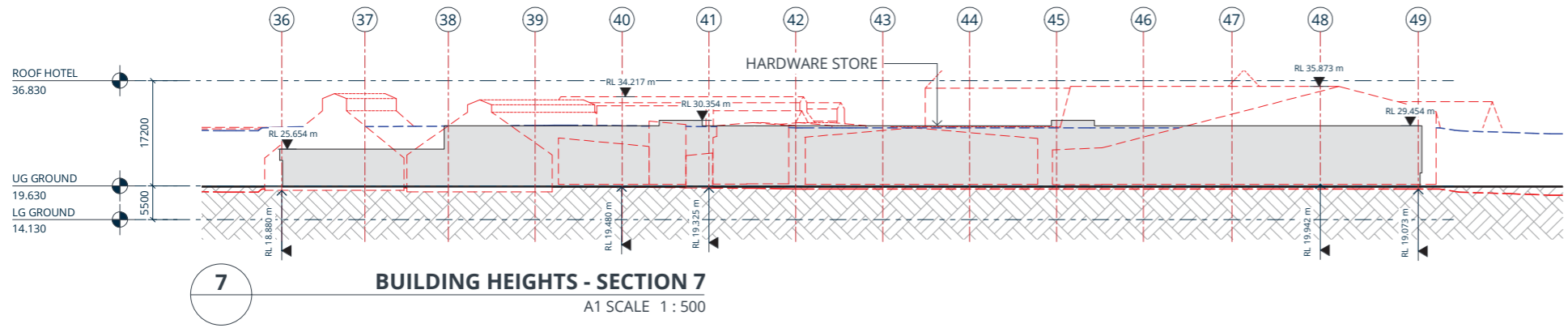
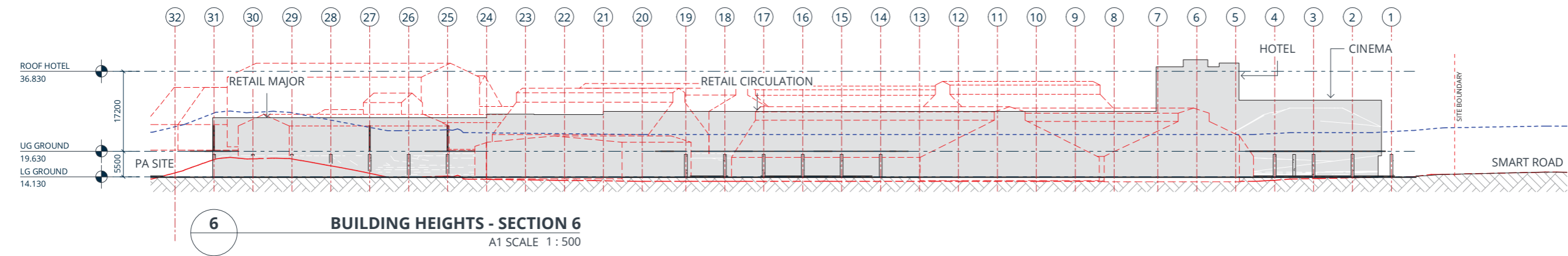
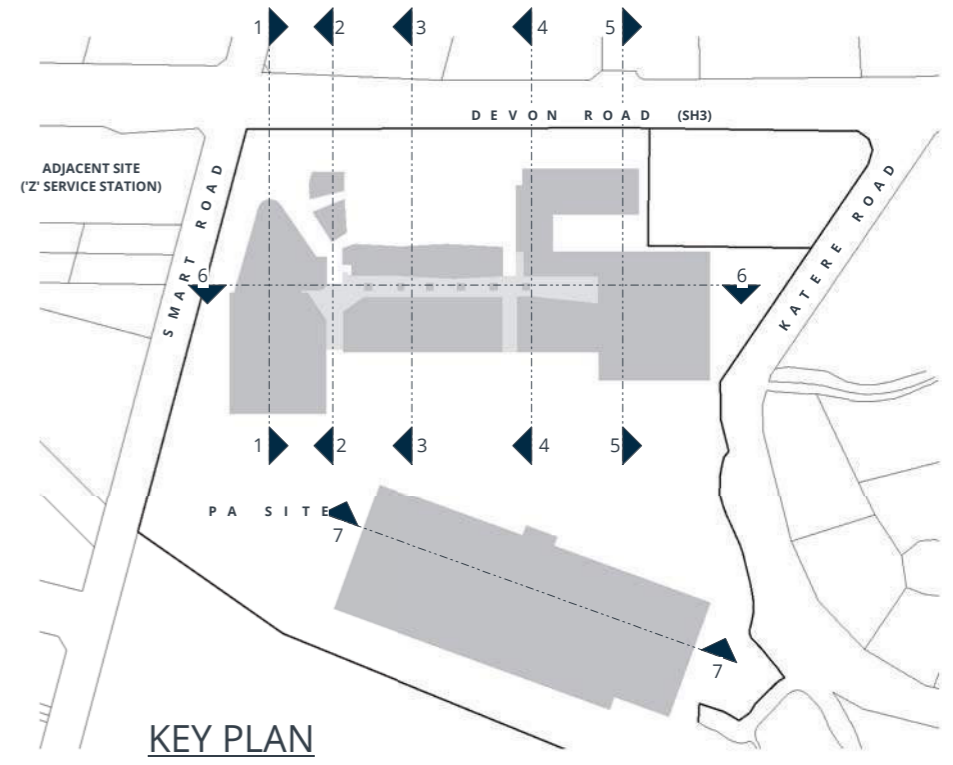
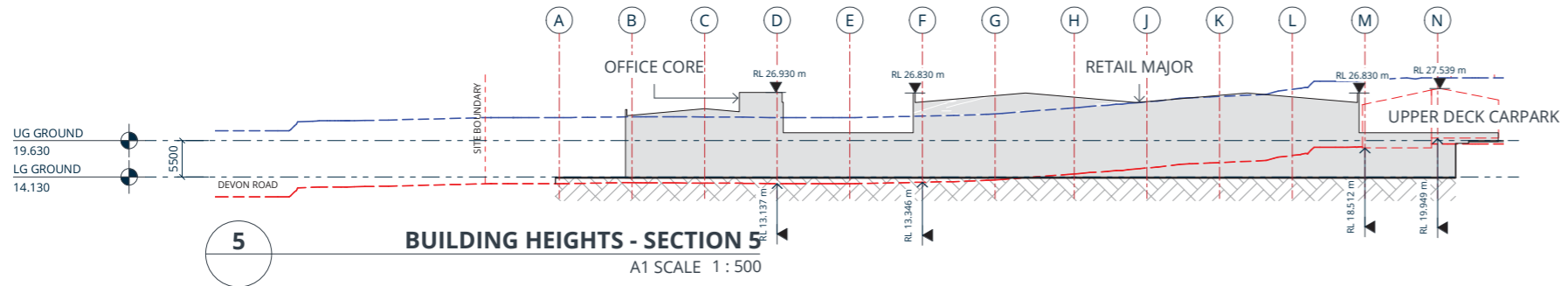
SCALE
1:1000
@ A3
Document Set ID: 8334757
Version: 1, Version Date: 28/07/2020



1433-002 SHT - RC 012
MAY 2018



LUC17/47175 - F2



SECTION	MAX. PROPOSED BUILDING HEIGHT	ACTUAL HEIGHT ABOVE GROUND LEVEL
SECTION 1	RL 37.830m	23.33m
SECTION 2	RL 28.230m	14.937m
SECTION 3	RL 28.230m	15.159m
SECTION 4	RL 28.230m	15.079m
SECTION 5	RL 26.930m	13.793m
SECTION 6	RL 39.354m	26.216m
SECTION 7	RL 30.354m	11.029

- LEGEND:**
- - - EXISTING BUILDINGS
 - - - EXISTING TOPOGRAPHY
 - - - 10m ROLLING HEIGHT PLANE
 - PROPOSED BUILDINGS